



Hoardfast uPVC is a **quick-to-install, clean, internal hoarding system** used during fit out, refurbishment and construction projects. The smart looking modular walling is widely used to **create internal office and welfare spaces**, or to contain dust and noise, acting as a barrier screen between the public and live projects. **Supplied ready to install**, Hoardfast uPVC saves contractors valuable set up time on site compared to traditional methods.



Hire or Purchase



Next Day Delivery



Reconfigure, Relocate and Re-use



Smart Appearance



Quick, Clean, Easy Installation



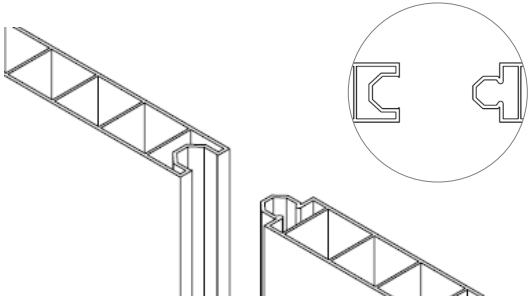
Recyclable and Sustainable

Features and Benefits

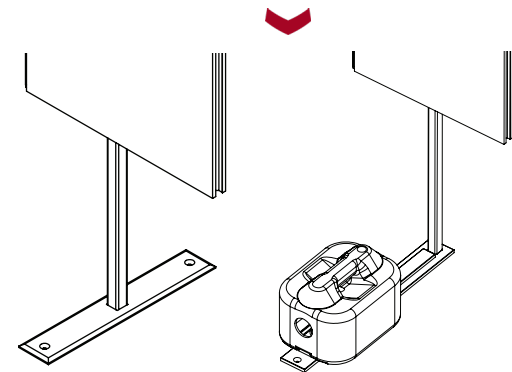
Modular ready to install system	<ul style="list-style-type: none"> • Quick, clean, easy installation saves time and money on site setup • Easy to configure as required
Sustainable product that can be hired, reused and recycled	<ul style="list-style-type: none"> • Pay for and use the product only for the time you need • Save money by reusing the same panels and components on phased or multiple projects • Reduced overall environmental impact for your project
Graded panel options	<ul style="list-style-type: none"> • Choose a grade and price of panel to suit your project
Lightweight panel	<ul style="list-style-type: none"> • Easy to move around site
1.12m, 2.25m, 2.7m, 3m, 4m, 5m standard panels heights	<ul style="list-style-type: none"> • Create quick floor to ceiling or free-standing partitions • Easy to cut and configure as required
Next day delivery from large UK stock*	<ul style="list-style-type: none"> • Get items to site when you need them to prevent delays
Easy fit single and double doors (with Digi lock)	<ul style="list-style-type: none"> • Create restricted access to construction sites or site offices and welfare spaces

*Deliveries to mainland UK

Installation

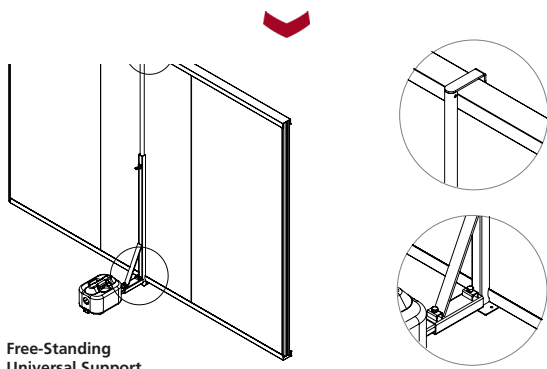


Panels are connected by knocking together the tongue and groove. Corner posts and T-sections are also available.

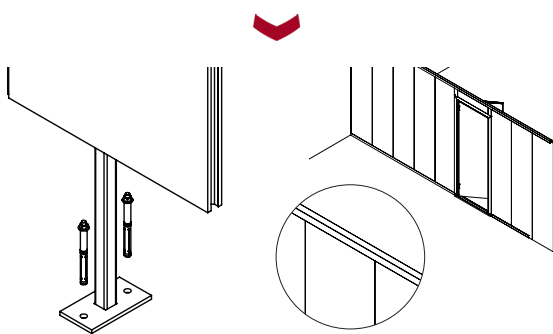


Free-Standing Equal

Free-Standing Offset



Free-Standing Universal Support



Free-Standing Bolt Down

Floor-to-Ceiling U-Channel Top & Bottom

Hoardfast Standard uPVC works with a range of free-standing stability options or install floor to ceiling supplied u-channels.

*Applies to 35mm panel only. This fact sheet is for illustrative purposes only and based on the latest information at the time of print. Installation methods may vary depending on specific project requirements. Westgate Global reserve the right to make changes at any time without notice.

J222-WG-PFS-HF-UPVC-010323 © Westgate Global Ltd

Technical Specifications

Material composite	85% recycled PVC, 15% Virgin PVC, grey hollow fluted internal and solid white ridged external face
Connection method	Tongue and groove
Panel fire rating	BS476 Class 1 Part 7 (Spread of Flame)*
Acoustic properties	26-27dB reduction in sound (Insulation)
Standard panel heights	1.12m, 2.25m, 2.7m, 3m, 4m, 5m
Panel width	0.5m
Panel thickness	35mm (up to 2.7m), 50mm (3m-5m)
Support options	Floor-to-ceiling; supplied with u-channel fixings or Free-standing; equal, offset, universal, bolt down

All standard stock is dispatched using a next day delivery service and both hire and purchase options are available. Optional extras include; doors, vision panels and graphics.

